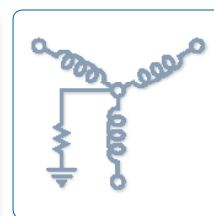
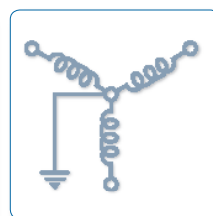
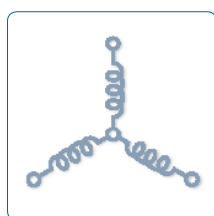
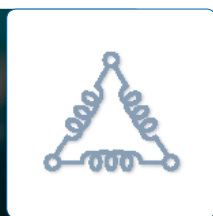




Unparalleled Protection

iM603E

INSULATION MONITOR



unparalleled protection

iM603E

The new I-Gard device continuously monitors the insulation resistance of idle machines to provide early warning of insulation deterioration. It can withstand test voltages of up to 1000V.

1. INSTALLATION

1. Disconnect power from the starter unit.
2. Install the mounting bracket close to the enclosure hinges using the screws supplied. Clip the monitor securely to the mounting bracket.
3. If required and regulations permit, install the long life flashing alarm light (supplied) on the starter enclosure front panel close to the hinges and affix the self-adhesive warning label around the lamp.
4. Connect terminals 1 & 2 to the specified control voltage. Connect terminal 6 to any phase on the load side of the main contactor (or the final running contactor if not direct on-line starting). Connect terminal 3 to ground.

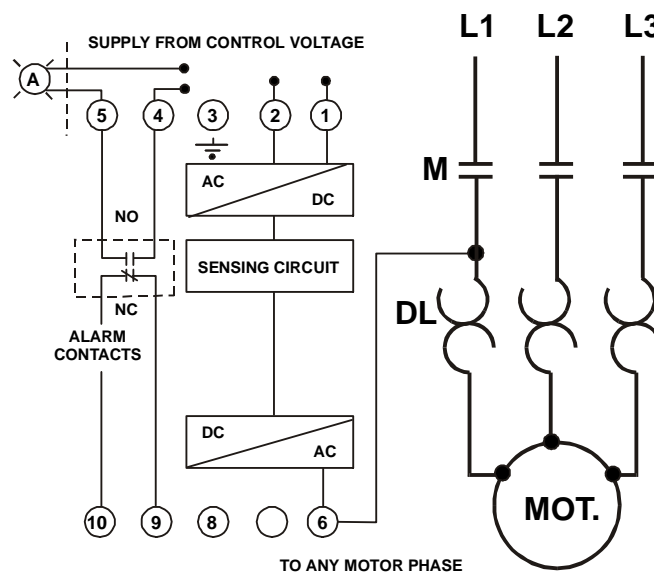
Use terminals 9 & 10 for start prevention (if required) and terminals 4 & 5 for local or remote alarm operation.

2. INITIAL TEST PROCEDURE

1. Ground one of the motor phases momentarily with the supplied Test Resistor
2. The Red LED should light and the external alarm circuit be activated after a delay of 8 – 10 seconds.
3. Reset the monitor with the RESET button.
4. Repeat the procedure with the other two phases.

Monitoring is now automatic and may be verified at any time by pressing the TEST button.

3. CONNECTION DIAGRAM



NB. If the motor is wired for start prevention it will be tripped out by the test.
 Alarm level switch: recommended setting is 5MΩ; however if still in alarm at 1MΩ, call for service!

4. SPECIFICATIONS

Control Voltage	115/220V AC, +20-40%, 50/60Hz \pm 10%
Maximum Power	3 VA
Maximum Line Voltage	600V AC
Measuring Voltage	24V
Measuring Current	50 μ A max
Contacts Rating	250V 5A AC resistive
Dimensions	4.4" x 1.77" x 2.67" 112mm x 45mm x 68mm

Available for DC control, 400Hz and different settings – please consult I-Gard.

NOTE: DISCONNECT CONTROL POWER FROM THE STARTER ENCLOSURE IF HIGH VOLTAGE INSULATION TEST IS REQUIRED.

5. ADDITIONAL INFORMATION

If you require more information or experience problems with your equipment that persist after taking the steps identified in this manual, contact I-Gard customer service.

6. I-GARD PRODUCTS

For more information or for a complete list of I-Gard products, please contact I-Gard.



FALCON
*Optical Arc
 Protection System*



VIA
Voltage Alarm Indicator



mGARD
*Ground Fault
 Relay*



STOPLIGHT
*High Resistance
 Grounding System*



GEMINI
*High Resistance
 Grounding System*



SLEUTH
*High Resistance
 Grounding System*



FUSION
*High Resistance
 Grounding System*



SENTINEL
*High Resistance
 Grounding System*



MGFR
*Ground Fault
 Relay*



DSP OHMNI
*High Resistance
 Grounding System*



SIGMA
*Ground Fault Relay
 Resistor Monitor*



GCHK-100
Mining Relay

unparalleled protection



7615 Kimbel St., Unit 1
Mississauga, Ontario
Canada L5S 1A8

Phone 905 673.1553
Toll Free 1 800 737.4787
Fax 905 673.8472
e-mail: sales@i-gard.com
www.i-gard.com