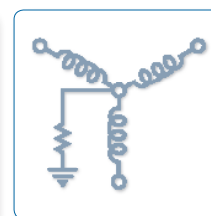
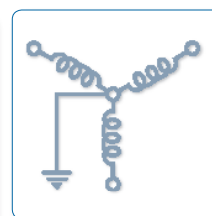
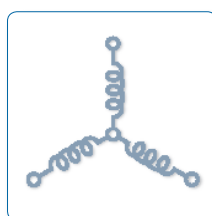
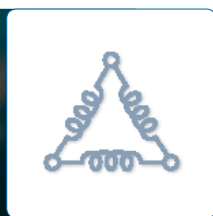




*Unparalleled Protection*

**iM600**

INSULATION MONITOR



unparalleled protection

iM600

The iM600 insulating monitor continuously monitors the insulation resistance of idle machines to provide early warning of insulation deterioration. It easily withstands test voltages of up to 1000V.

### 1. INSTALLATION

Disconnect power from the starter unit.

Install the mounting bracket close to the enclosure hinges using the screws supplied. Clip the monitor securely to the mounting bracket.

If required and regulations permit, install the long life flashing alarm light (supplied) on the starter enclosure front panel close to the hinges and affix the self-adhesive warning label around the lamp.

Connect terminals 1 & 2 to the control voltage (specified on the rating label of the unit). Connect terminals 6 & 8 to any two phases on the load side of the main contactor. Connect terminal 3 to ground.

Use terminals 9 & 10 for start prevention (if required) and terminals 4 & 5 for local or remote alarm operation.

### 2. INITIAL TEST PROCEDURE

Ground one of the motor phases momentarily with the supplied Test Resistor

The Red LED should light and the external alarm circuit be activated after a delay of 8 – 10 seconds.

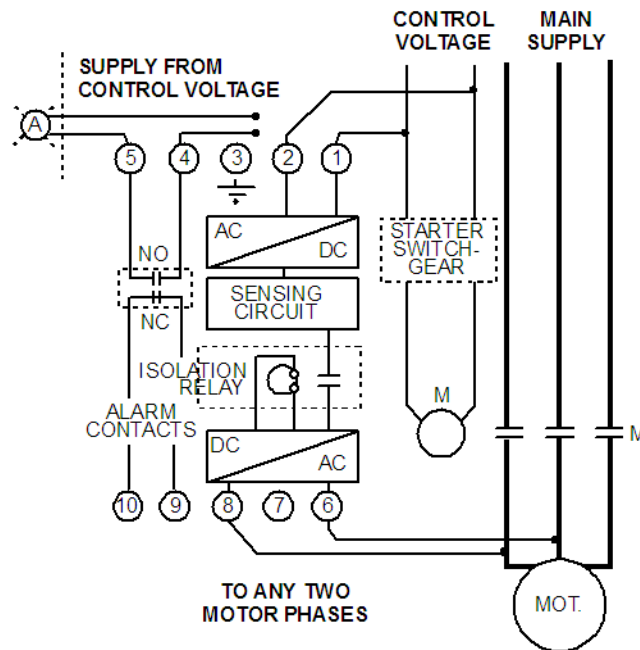
Reset the monitor with the RESET button.

Repeat the procedure with the other two phases.

Start the motor. If the Red LED lights while the motor is running, check connections to terminals 6 & 8.

Monitoring is now automatic and may be verified at any time by pressing the TEST button.

### 3. CONNECTION DIAGRAM MODEL iM600



**NB.** If the motor is wired for start prevention it will be tripped out by the test.

Alarm level switch: Recommended setting is 3MΩ; however if still in alarm at 0.5 MΩ, call for service!

#### 4. SPECIFICATIONS

<b>Maximum Power</b>	3VA
<b>Control Settings</b>	115, 220, 440V AC $\pm$ 20% 50/60/400Hz $\pm$ 10%
<b>Maximum Line Voltage</b>	600V AC/DC
<b>Measuring Voltage</b>	12V
<b>Measuring Current</b>	25 $\mu$ A max
<b>Isolation Time</b>	0.5 milliseconds
<b>Contacts Rating</b>	250V 5A AC resistive
<b>Dimensions</b>	4.4" x 1.77" x 2.67" 112 x 45 x 68 mm

Available for DC control and different settings – consult factory

**NOTE:** DISCONNECT CONTROL POWER FROM THE STARTER ENCLOSURE IF HIGH VOLTAGE INSULATION TEST IS REQUIRED.

## 5. I-GARD PRODUCTS

For more information or for a complete list of I-Gard Products, please contact I-Gard.



**FALCON**  
*Optical Arc  
Protection System*



**VIA**  
*Voltage Alarm Indicator*



**mGARD**  
*Ground Fault  
Relay*



**STOPLIGHT**  
*High Resistance  
Grounding System*



**GEMINI**  
*High Resistance  
Grounding System*



**SLEUTH**  
*High Resistance  
Grounding System*



**FUSION**  
*High Resistance  
Grounding System*



**SENTINEL**  
*High Resistance  
Grounding System*



**MGFR**  
*Ground Fault  
Relay*



**DSP OHMNI**  
*High Resistance  
Grounding System*



**SIGMA**  
*Ground Fault Relay  
Resistor Monitor*



**GCHK-100**  
*Mining Relay*

unparalleled protection



7615 Kimbel St., Unit 1  
Mississauga, Ontario  
Canada L5S 1A8

---

Phone 905 673.1553  
Toll Free 1 800 737.4787  
Fax 905 673.8472  
e-mail: [sales@i-gard.com](mailto:sales@i-gard.com)  
[www.i-gard.com](http://www.i-gard.com)